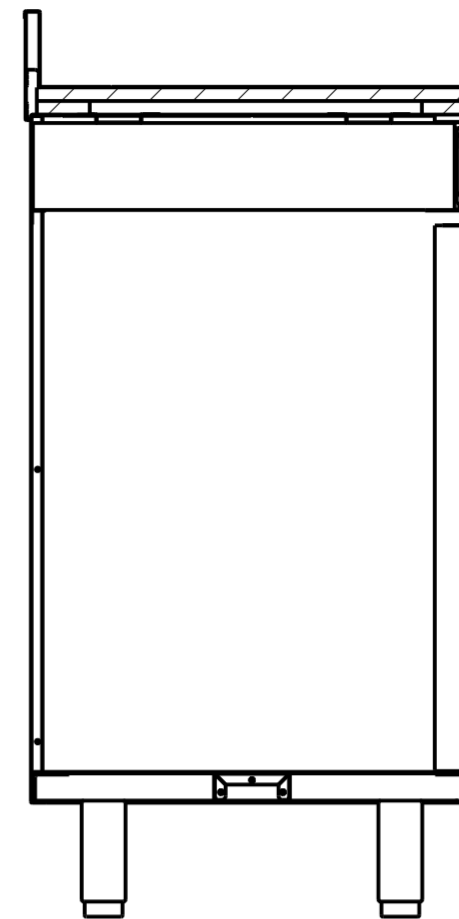
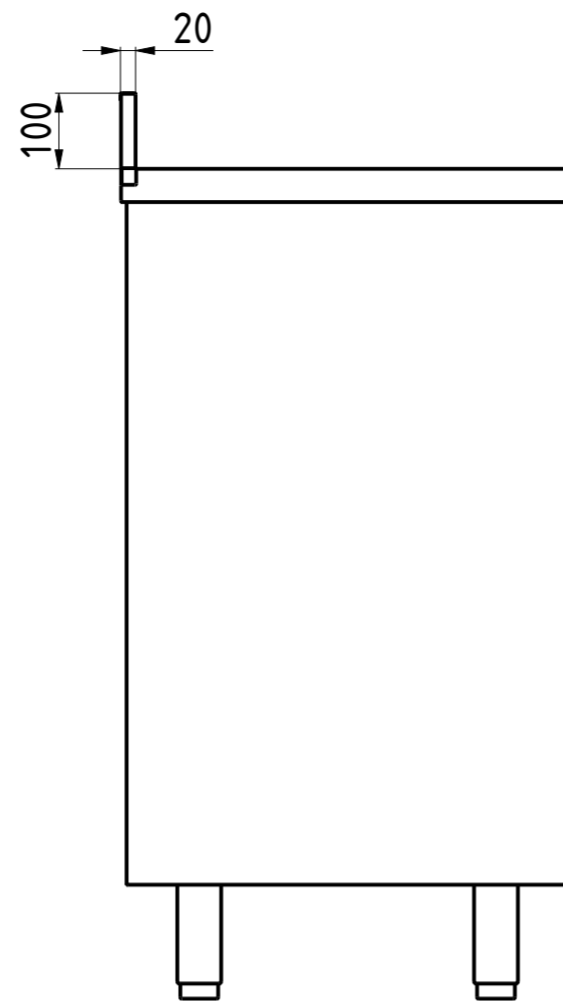
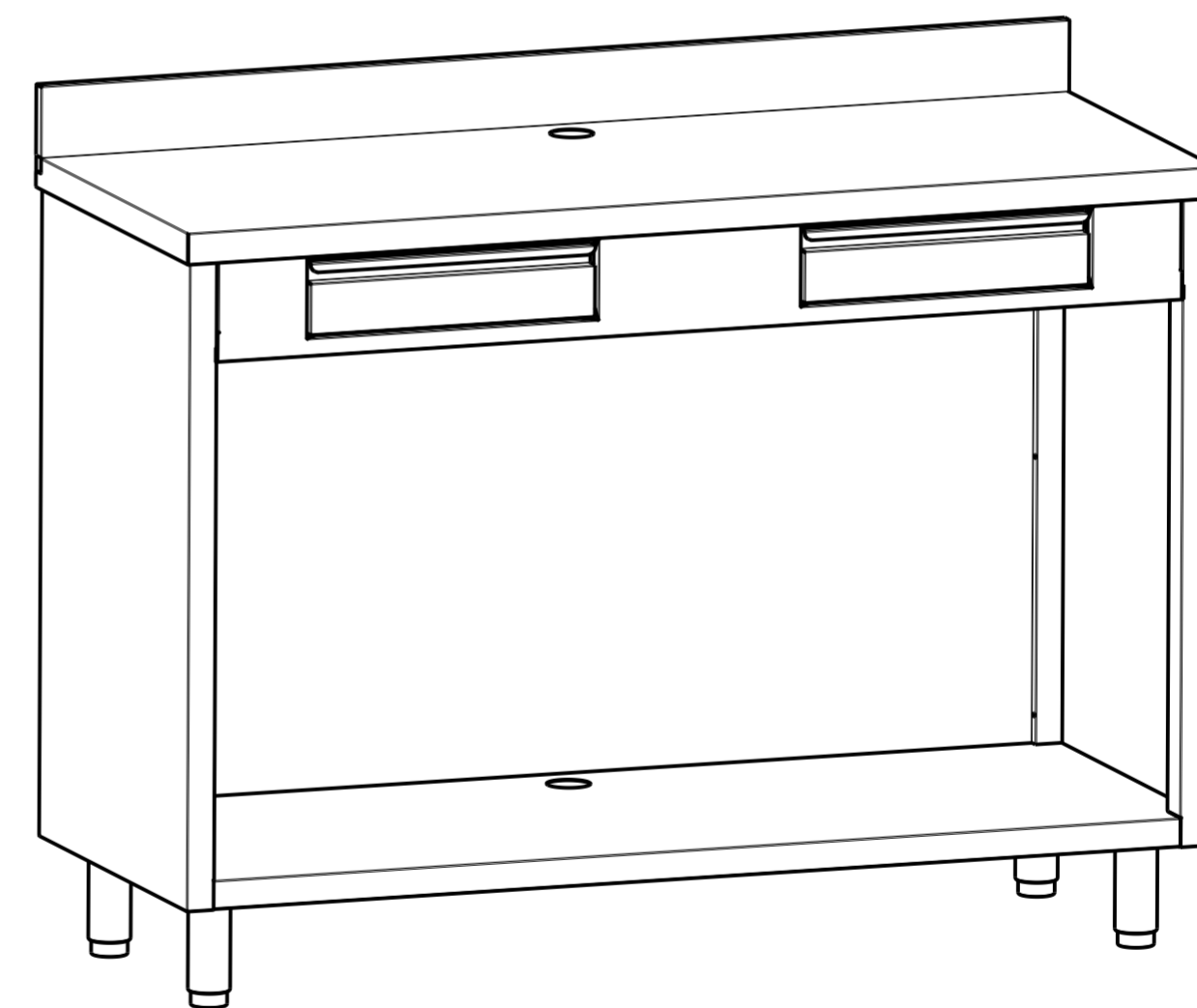


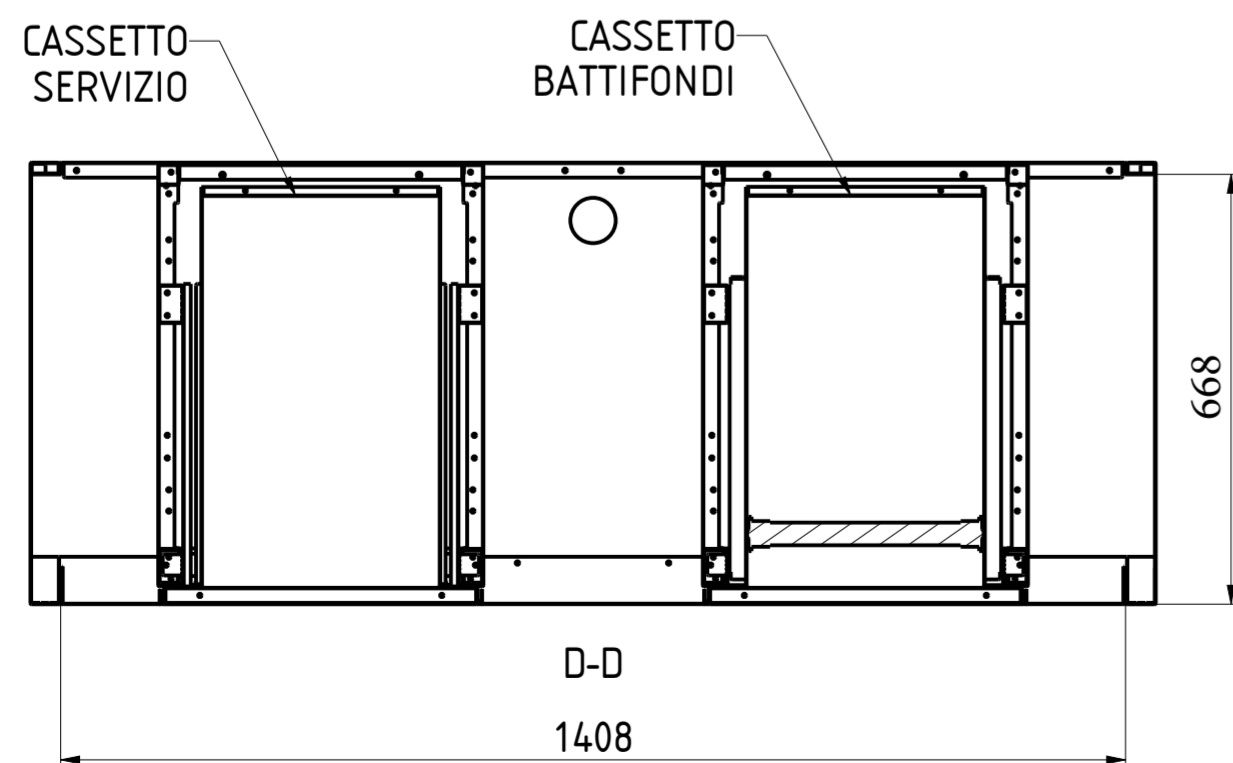
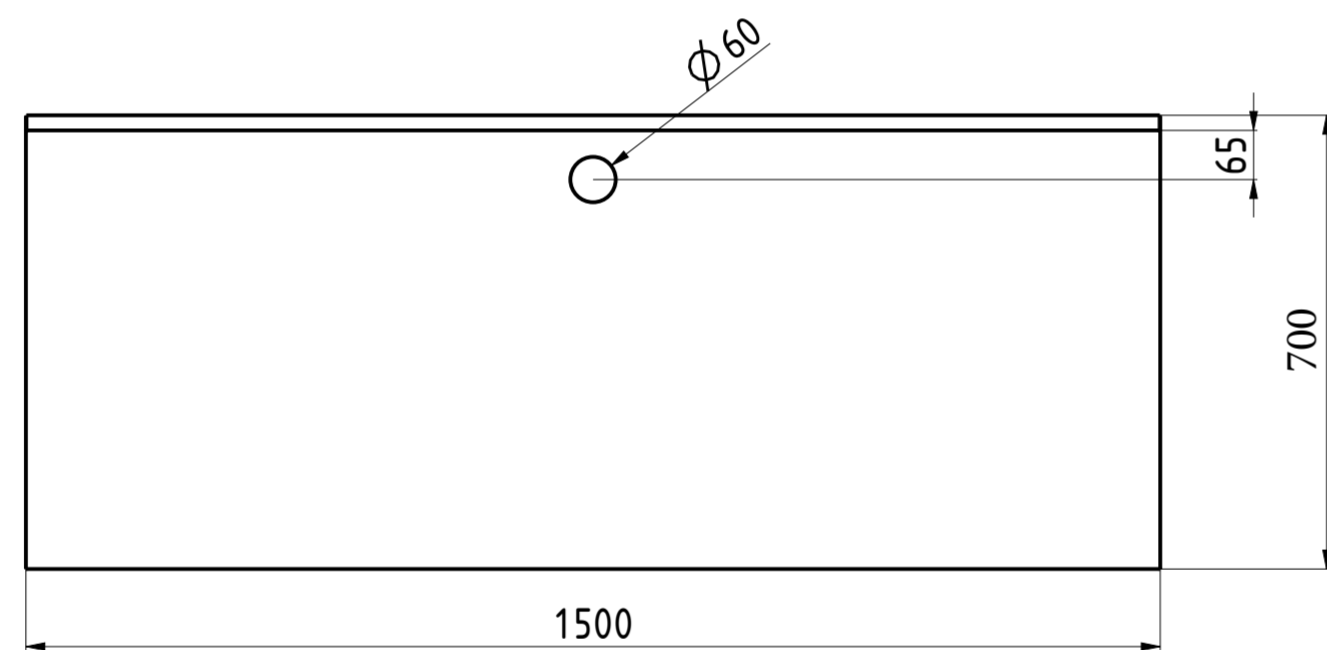
FRONT VIEW 1:10



E-E



3D VIEW 1:10



ELABORATO CON SISTEMA CAD
DESIGNED BY CADSYSTEM

QUOTA PRIMARIA
PRIMARY DIMENSION
XX

ANGOLI
Angles
30°

>500	±0.75
400-500	±0.65
315-400	±0.60
250-315	±0.55
180-250	±0.50
120-180	±0.45
80-120	±0.40
50-80	±0.35
30-50	±0.30
18-30	±0.25
10-18	±0.20
5-10	±0.15
0-5	±0.10

TOLLERANZA UNLESS OTHERWISE STATED



PROJECT Food®

VIA PIER ENRICO MOTTA n° 50
15033 - CASALE MONFERRATO (AL)
W: www.projectfood.it
E: info@projectfood.it
T: 0142578990
P.IVA: IT02579710068