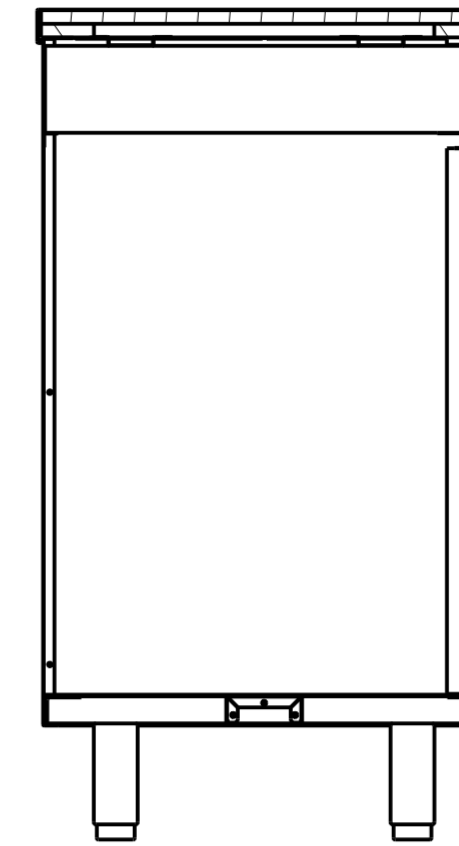
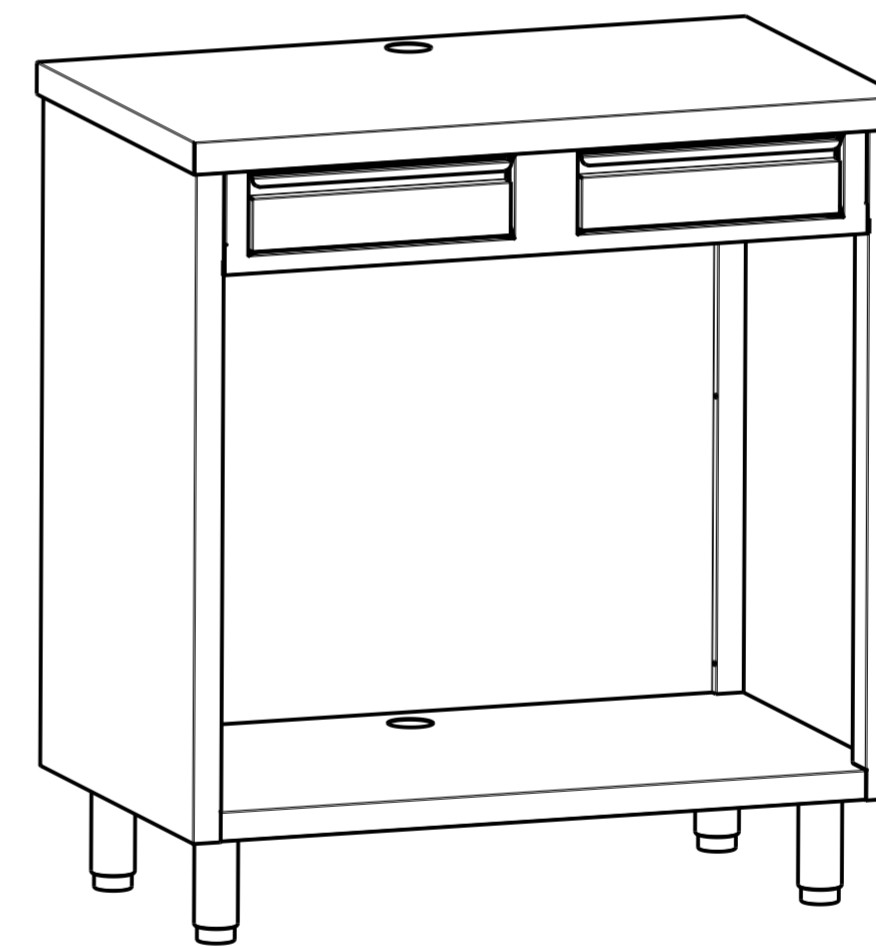
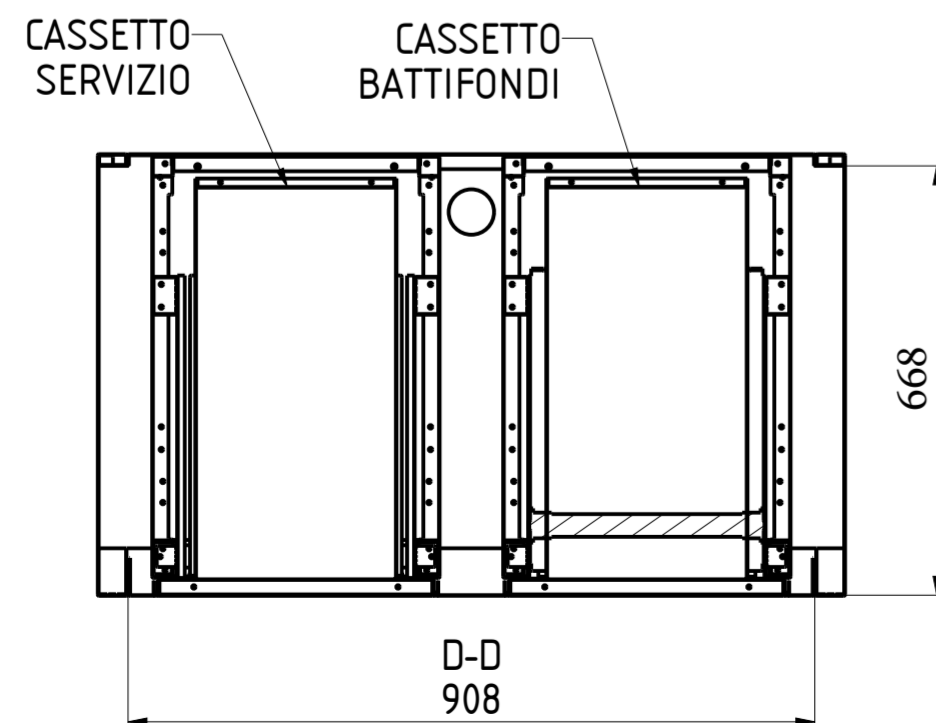
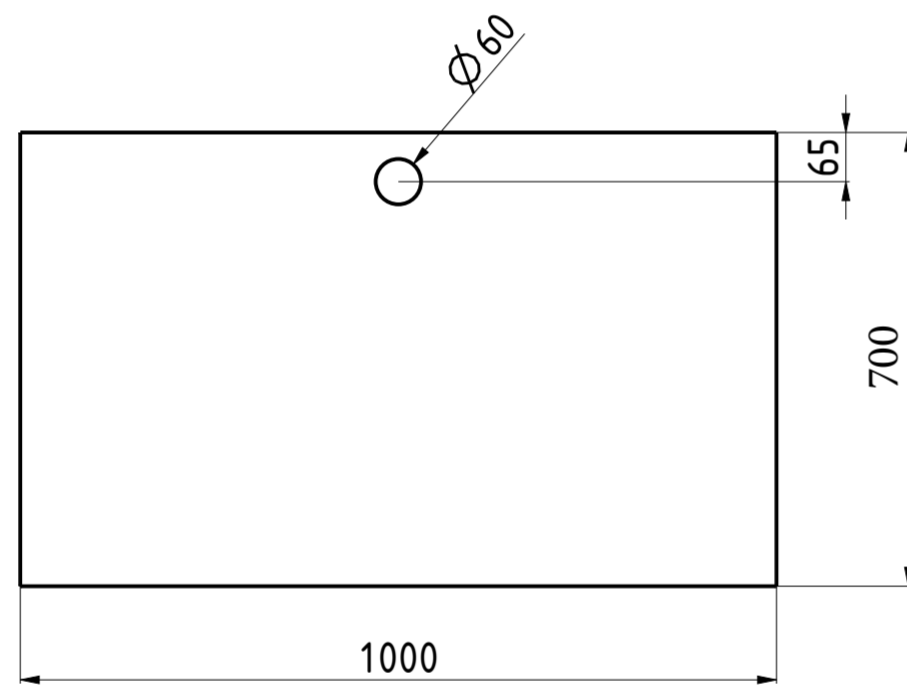


FRONT VIEW 1:10



E-E



FRONT VIEW 1:10



**PROJECT Food**®

VIA PIER ENRICO MOTTA n° 50  
 15033 - CASALE MONFERRATO (AL)  
 W: [www.projectfood.it](http://www.projectfood.it)  
 E: [info@projectfood.it](mailto:info@projectfood.it)  
 T: 0142578990  
 P.IVA: IT02579710068

ELABORATO CON SISTEMA CAD  
 DESIGNED BY CADSTEM

QUOTA PRIMARIA  
 PRIMARY DIMENSION  
 XX

ANGOLI  
 Angles  
 30°

QUOTE SENZA TOLLERANZA	TOLLERANCE UNLESS OTHERWISE STATED
0-5	±0.10
5-10	±0.15
10-18	±0.20
18-30	±0.25
30-50	±0.30
50-80	±0.35
80-120	±0.40
120-180	±0.45
180-250	±0.50
250-315	±0.55
315-400	±0.60
400-500	±0.65
>500	±0.75

LUNGH. E DIAM.  
 LENGTH AND DIAM.