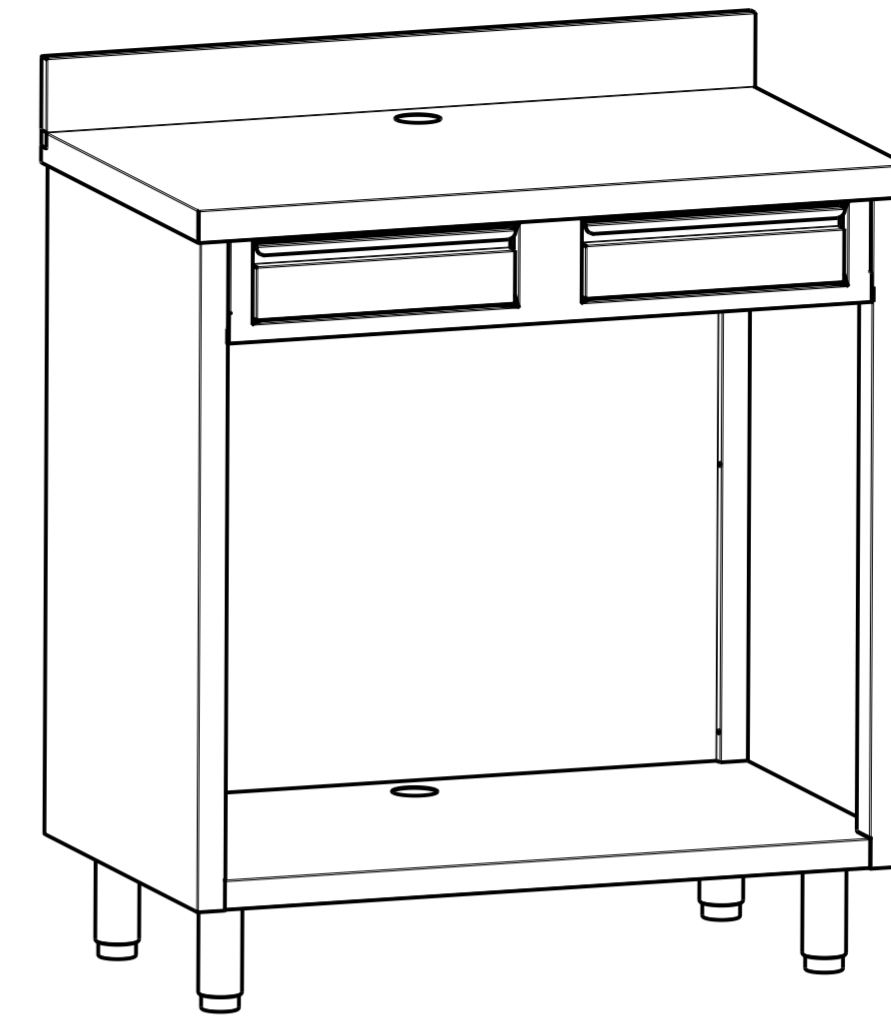
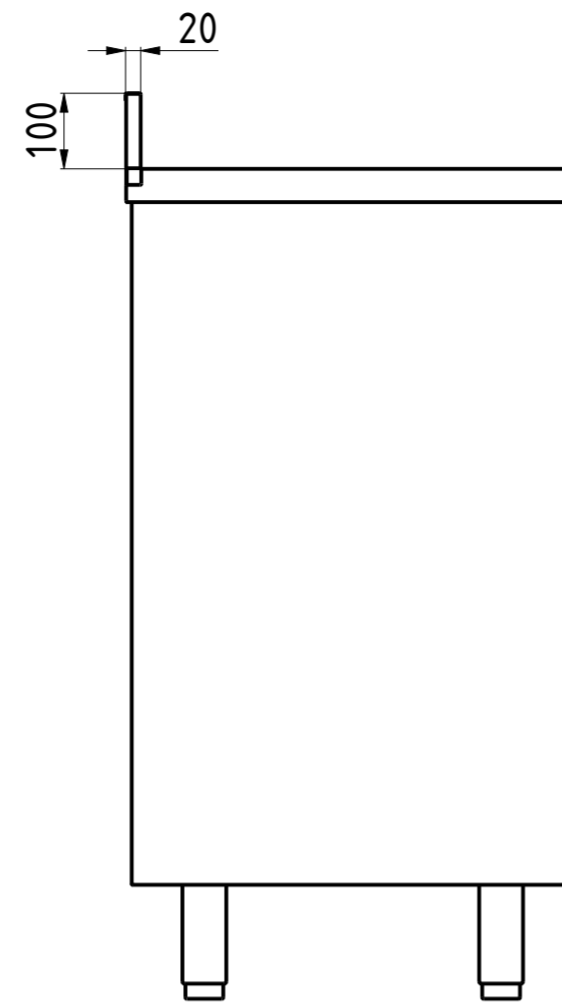
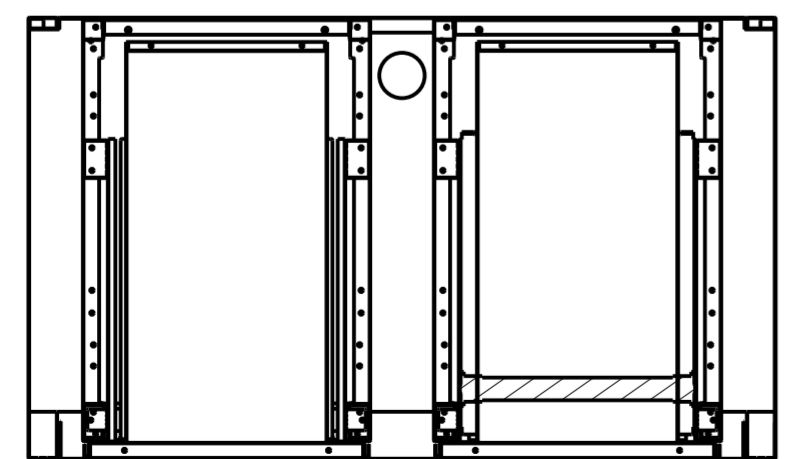
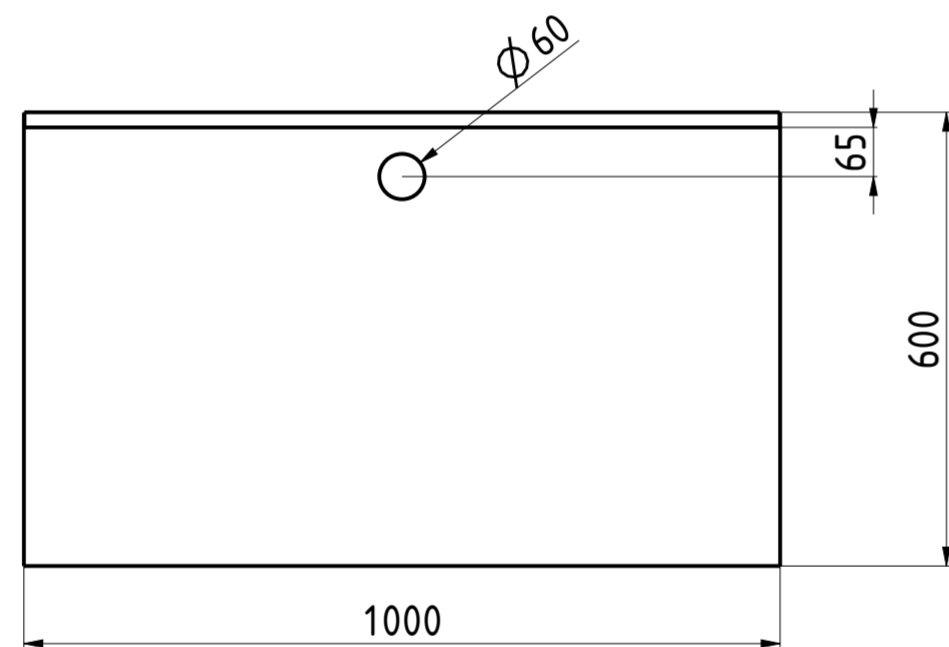


SCALA 1:10



SCALA 1:10



CASSETTO SERVIZIO

CASSETTO BATTIFONDI



PROJECT Food®

VIA PIER ENRICO MOTTA n° 50
 15033 - CASALE MONFERRATO (AL)
 W: www.projectfood.it
 E: info@projectfood.it
 T: 0142578990
 P.IVA: IT02579710068

ELABORATO CON SISTEMA CAD
 DESIGNED BY CADSTEM

QUOTA PRIMARIA
 PRIMARY DIMENSION
 XX

ANGOLI
 Angles
 30°

QUOTE SENZA TOLLERANZA TOLLERANCE UNLESS OTHERWISE STATED

>500	±0.75
400-500	±0.65
315-400	±0.60
250-315	±0.55
180-250	±0.50
120-180	±0.45
80-120	±0.40
50-80	±0.35
30-50	±0.30
18-30	±0.25
10-18	±0.20
5-10	±0.15
0-5	±0.10

LUNGH. E DIAM.
 LENGTH AND DIAM.